

***Designer Select***

**PREMIUM OFFERINGS *for***  
**PROJECTS *of* DISTINCTION**  
***Southwest***



*Capistrano*  
*SHC 8709 El Morado Blend*

*USA Owned. USA Made.*

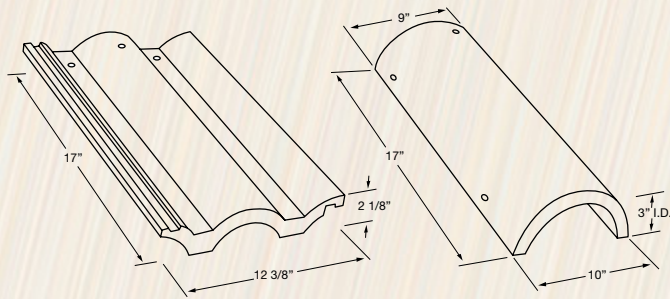
# Product Index

Malibu		Capistrano				Boosted Capistrano		Bel Air		Double Eagle Bel Air		Golden Eagle		Ponderosa		Artisan	
Prod No.	Pg	Prod No.	Pg	Prod No.	Pg	Prod No.	Pg	Prod No.	Pg	Prod No.	Pg	Prod No.	Pg	Prod No.	Pg	Prod No.	Pg
2598	3	3560	4	SCC8807	5	overview	6	4598	8	4087	8	1687	10	5552	11	49717	12
		3578	4	SCC8825	5			4626	8	4097	8	1699	10	5794	11	49718	12
		3598	4	SCC8829	5			4794	8					SHP8706	11	49719	12
		3626	4	SCC8831	5			4800	8					SHP8707	11	49720	12
		3794	4	SHC8708	5			SCB8826	8							49721	12
				SHC8709	5			SCB8828	8							29706	13
				SHC8710	5											29707	13
				SHC8711	5											29708	13
				SMC8401	5											29709	13
				SMC8402	5											29710	13
				SMC8403	5											39706	13
				SMC8822	5											39707	13
																39708	13
																39709	13
																39710	13

***Blended tile provides added value and beauty to any architectural structure. However, it requires careful tile placement by your roof contractor, who is responsible for insuring that the placement of the tile is completed in an aesthetically pleasing manner. Eagle Roofing Products recommends that you discuss this design effect with your roofer, prior to installation, to ensure that no hot spots (patches of color that undo the blended effect) are created.***

**88** Tiles per 100 sq ft  
with 3" headlap

**903** Approx installed weight  
field tile per 100 sq ft



2598 Ocotilla  
Peachy Tan, Charcoal, Cream Streaks  
Ref Emi SRI A.Ref A.EMI A.SRI CRRC:  
.25 .80 21 .27 .88 27 0918-0001

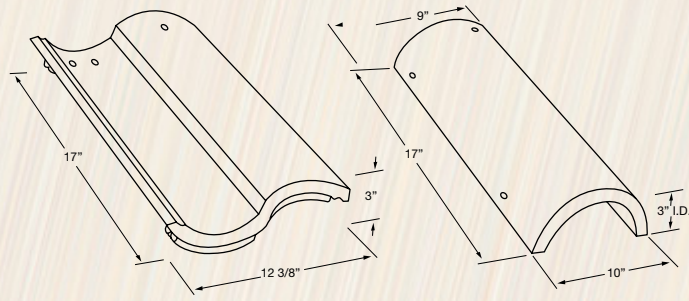


Malibu  
2598 Ocotilla

# Capistrano

88.5 Tiles per 100 sq ft with 3" headlap

900 Approx installed weight field tile per 100 sq ft



3560 Caliente

Red, Yellow Streaks

Ref Emi SRI A.Ref A.Emi A.SRI CRRC:  
.28 .88 28 .27 .90 28 0918-0011



3578 Ramona

Clay Red, Maroon Streaks

Ref Emi SRI A.Ref A.Emi A.SRI CRRC:  
.15 .93 14 .18 .91 17 0918-0034



3598 Ocotilla

Peachy Tan, Charcoal, Cream Streaks

Ref Emi SRI A.Ref A.Emi A.SRI CRRC:  
.25 .80 21 .27 .88 27 0918-0001



3626 Rancho Cordova Blend

Green, Gold, Purple Blend

Ref Emi SRI A.Ref A.Emi A.SRI CRRC:  
.17 .93 17 .19 .91 18 0918-0040



3794 Coronado

Tan, Charcoal, Cream Streaks

Ref Emi SRI A.Ref A.Emi A.SRI CRRC:  
.27 .94 30 .29 .88 30 0918-0016





**SCC 8807 Monterey**  
*Tan, Green, Terracotta, Taupe Blend*  
 Ref Emi SRI A.Ref A.EMI A.SRI CRRC:  
 .17 .89 15 .20 .92 20 0918-0057



**SCC 8825 Corona Del Mar**  
*Dark Brown, Tan, Maroon, Brown Streaks Blend*  
 Ref Emi SRI A.Ref A.SRI CRRC:  
 .14 .90 11 .16 14 0918-0074



**SCC 8829 Santa Fe Blend**  
*Orange, Maroon, Dark Brown, Terracotta Blend*



**SCC 8831 Winslow**  
*Orange, Terracotta, Beige Brown Blend*



**SHC 8708 Del Oro Blend**  
*Terracotta, Gold, Tan, Brown Blend*  
 Ref Emi SRI A.Ref A.SRI CRRC:  
 .14 .90 11 .16 14 0918-0075



**SHC 8709 El Morado Blend**  
*Terracotta, Burgundy Blend*  
 Ref Emi SRI A.Ref A.SRI CRRC:  
 .17 .88 14 .18 15 0918-0076



**SHC 8710 Ladera Blend**  
*Tan, Gray, Orange, Dark Brown Blend*  
 Ref Emi SRI A.Ref A.EMI A.SRI CRRC:  
 .18 .89 16 .19 .92 19 0918-0052



**SHC 8711 Puesta Del Sol Blend**  
*Tan, Orange Red, Dark Brown Blend*  
 Ref Emi SRI A.Ref A.SRI CRRC:  
 .18 .89 16 .19 17 0918-0080



**SMC 8401 San Miguel Blend**  
*Dark Chocolate Brown, Taupe, Rosy Brown Blend*



**SMC 8402 Santa Cruz**  
*Tan, Reddish Brown, Brown Blend*  
 Ref Emi SRI A.Ref A.EMI A.SRI CRRC:  
 .14 .89 11 .17 .92 16 0918-0058



**SMC 8403 Santa Barbara Blend**  
*Light, Dark Terracotta, Mauve, Dark Beige Blend*  
 Ref Emi SRI A.Ref A.EMI A.SRI CRRC:  
 .16 .89 13 .18 .93 18 0918-0056



**SMC 8822 San Buenaventura**  
*Clay Red*  
 Ref Emi SRI A.Ref A.SRI CRRC:  
 .24 .87 23 .23 21 0918-0067



†This product may help a project fulfill LEED® requirements. Notice: To ensure your satisfaction with your tile choice, we request you obtain a current tile sample; or request addresses in your area from your local Design Center/Eagle Representative.

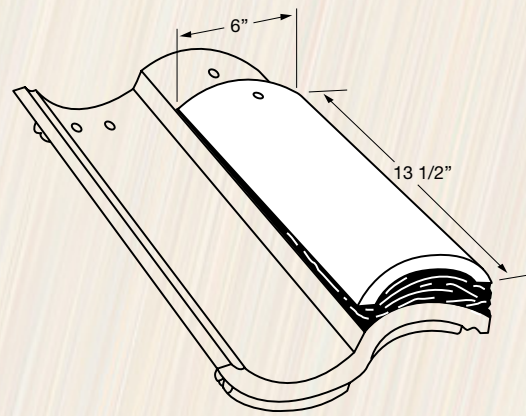
# Boosted Accessory Pieces

*It's easy to create the beauty of an authentic mortar-boosted clay roof with our Boosted accessory piece. These individual Boosted pieces are available in a wide range of colors intended to create a rustic look. Simply select from any of our Boosted colors to complement your Capistrano and Malibu tiles. For best results, mix your Boosted color and base color as this will add to the authenticity of your roof.*

Choose a Boosted accessory piece to go with your base field tile. Then decide how much "Boost" to use and how you would like your mortar to look. Some prefer a neat treatment, while others like an authentic look. No matter your choice, your new Boosted Eagle roof will be beautiful for years to come.

<b>% used on roof</b>	<b>Approx installed weight field tile per 100 sq ft</b>
<b>10% Application</b>	990
<b>20% Application</b>	1080
<b>30% Application</b>	1170

Each Boosted piece weighs approximately 4.8 lbs.



**Boosting The Eave**



**Placing The Mortar**



**Close-Up of Boosted Eave**



**Boosted Wind Clips Included (Bronze & Stainless Steel)**



*10% Boost*



*20% Boost*

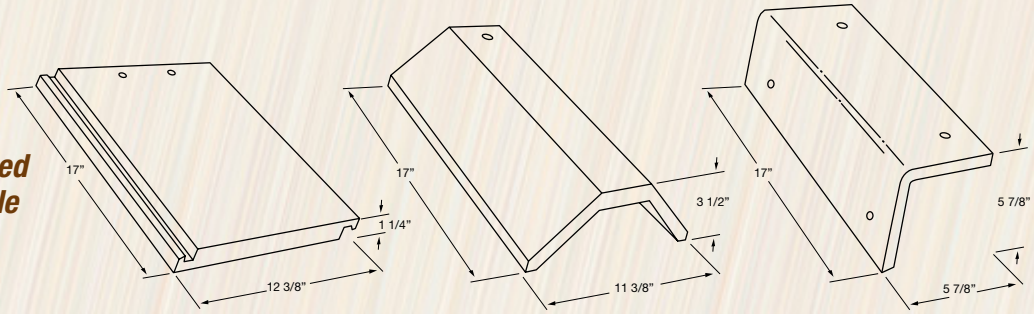


*30% Boost*

# Bel Air & Double Eagle Bel Air

88.5 Tiles per 100 sq ft with 3" headlap

970 Approx installed weight field tile per 100 sq ft



4598 Ocotilla  
Peachy Tan, Charcoal, Cream Streaks  
Ref Emi SRI A.Ref A.Emi A.SRI CRRC:  
.25 .80 21 .27 .88 27 0918-0001



4626 Rancho Cordova Blend  
Green, Gold, Purple Blend  
Ref Emi SRI A.Ref A.Emi A.SRI CRRC:  
.17 .93 17 .19 .91 18 0918-0040



4794 Coronado  
Tan, Charcoal, Cream Streaks  
Ref Emi SRI A.Ref A.Emi A.SRI CRRC:  
.27 .94 30 .29 .88 30 0918-0016



4800 White on White – Color Bonded\*  
White on White  
Ref Emi SRI A.Ref A.Emi A.SRI CRRC:  
.79 .91 99 .71 .91 88 0918-0007

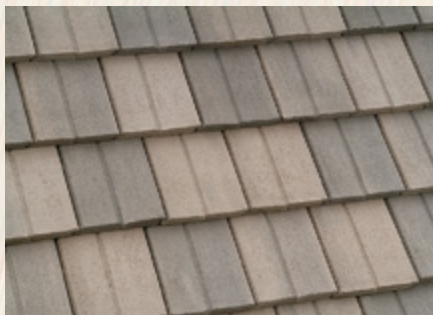


SCB 8826 Augusta  
Grayish Brown, Tan, Maroon Blend



SCB 8828 Bridgeport  
Grays, Taupe, Brown, Black Streaks Blend

## Double Eagle Bel Air ➤



4087 Brown Gray Range  
Brown, Gray Range  
Ref Emi SRI A.Ref A.Emi A.SRI CRRC:  
.15 .91 13 .16 .92 15 0918-0028



4097 Slate Range  
Charcoal Range  
Ref Emi SRI A.Ref A.Emi A.SRI CRRC:  
.15 .94 15 .17 .92 16 0918-0046





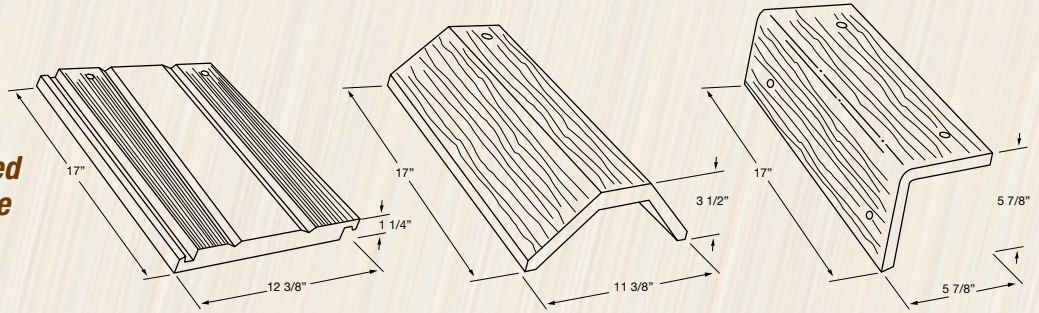


*Double Eagle Bel Air  
4097 Charcoal Range*

# Golden Eagle

**88.5 Tiles per 100 sq ft with 3" headlap**

**970 Approx installed weight field tile per 100 sq ft**



1687 Brown Gray Range

Gray Range

Ref Emi SRI A.Ref A.EMI A.SRI CRRC:  
 .15 .91 13 .16 .92 15 0918-0028



1699 Charcoal Range

Gray Range

Ref Emi SRI A.Ref A.EMI A.SRI CRRC:  
 .15 .94 15 .17 .92 16 0918-0046

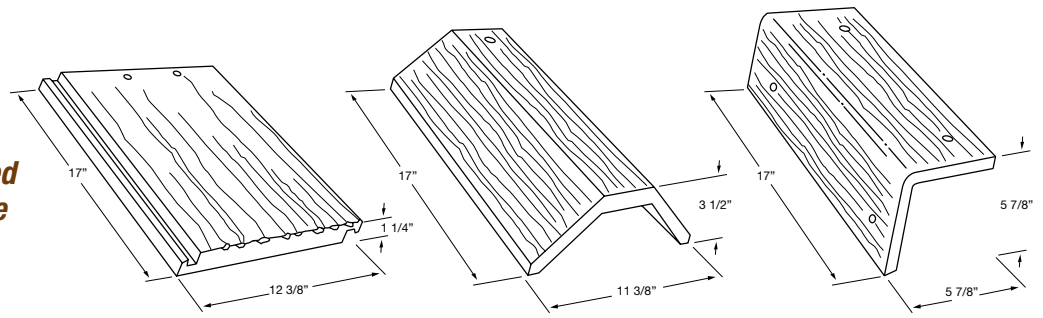


Golden Eagle  
 1687 Brown Gray Range

# Ponderosa

**88.5 Tiles per 100 sq ft with 3" headlap**

**970 Approx installed weight field tile per 100 sq ft**



**5552 Canyon Gray**  
*Fawn Gray, Purple, Gray Streaks*  
 Ref Emi SRI A.Ref A.SRI CRRC: 0918-0073



**5794 Coronado**  
*Tan, Charcoal, Cream Streaks*  
 Ref Emi SRI A.Ref A.Emi A.SRI CRRC: 0918-0016



**SHP 8706 Cascade Blend**  
*Tan, Dark Brown Blend*  
 Ref Emi SRI A.Ref A.SRI CRRC: 0918-0064



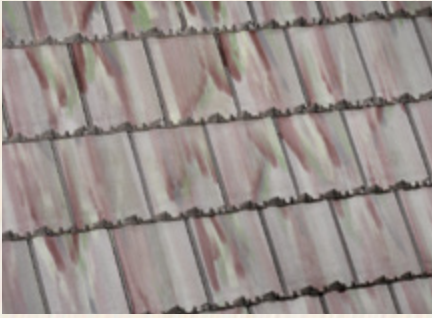
**SHP 8707 Sierra Blend**  
*Tan, Dark Brown, Reddish Brown Blend*  
 Ref Emi SRI A.Ref A.SRI CRRC: 0918-0070



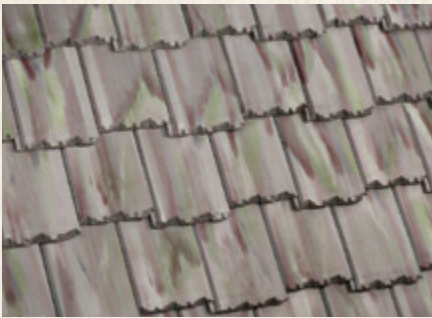
**Ponderosa – Staggered SHP 8706 Cascade Blend**

# The Artisan Collection—Featuring Tapered Slate

*Projects of distinction require roof tiles that make an impression. Eagle's Artisan Collection utilizes our exclusive Color Pressed Technology to create vibrant hues and unique color transitions not typical in standard roof tiles. The Artisan Collection ranges from distinctive Old World Mediterranean and Southwestern blends in both the Capistrano and Bel Air profiles to rich traditional slate tones found in our new Artisan Tapered Slate Series (this page).*



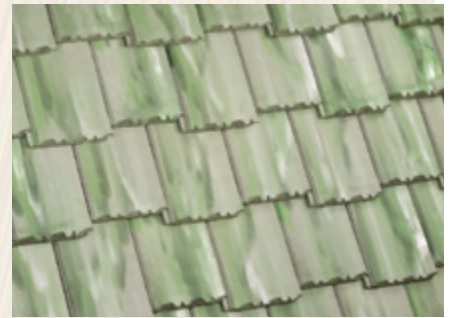
**49717 Nottingham**  
Gray, Burgundy, Black, Green Flashed



**49717 Nottingham (Staggered\*)**  
Gray, Burgundy, Black, Green Flashed



**49718 Catskill**  
Moss Green, Dark Green, Green, White Flashed



**49718 Catskill (Staggered\*)**  
Moss Green, Dark Green, Green, White Flashed



**49719 Wales**  
Gray, Burgundy, Copper, Gray Flashed



**49719 Wales (Staggered\*)**  
Gray, Burgundy, Copper, Gray Flashed



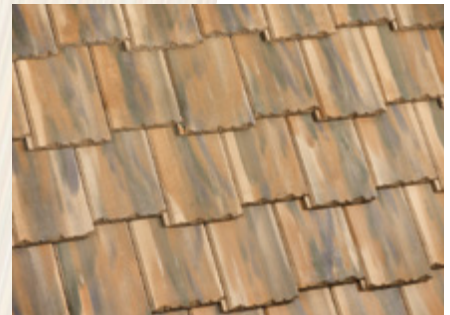
**49720 Graystone**  
Gray, Yellow, Copper, Black Flashed



**49720 Graystone (Staggered\*)**  
Gray, Yellow, Copper, Black Flashed



**49721 Brownstone**  
Mocha Tan, Brown, Gray, Green Flashed



**49721 Brownstone (Staggered\*)**  
Mocha Tan, Brown, Gray, Green Flashed

# Artisan Capistrano



**39706 Grand Canyon**  
*Terracotta, Cream, Brown Streaks*  
 Ref Emi SRI A.Ref A.SRI CRRC:  
 .32 .87 33 .28 28 0918-0077



**39707 Sabino Canyon**  
*Purple, Cream, Dark Brown Streaks*  
 Ref Emi SRI A.Ref A.SRI CRRC:  
 .19 .89 17 .19 17 0918-0082



**39708 Cimarron Canyon**  
*Tan, Cream, Dark Brown Streaks*



**39709 Glenn Canyon**  
*Dark Brown, White, Cream, Black Streaks*



**39710 Sedona Canyon**  
*Red, White, Black Streaks*

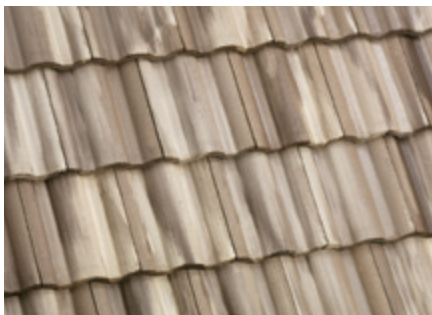
# Artisan Malibu



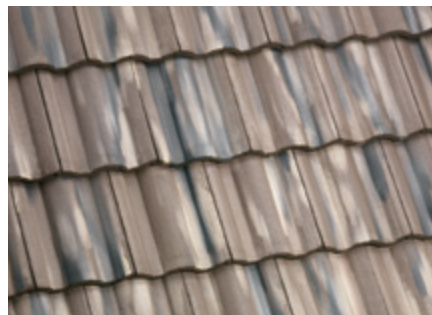
**29706 Grand Canyon**  
*Terracotta, Cream, Brown Streaks*  
 Ref Emi SRI A.Ref A.SRI CRRC:  
 .32 .87 33 .28 28 0918-0077



**29707 Sabino Canyon**  
*Purple, Cream, Dark Brown Streaks*  
 Ref Emi SRI A.Ref A.SRI CRRC:  
 .19 .89 17 .19 17 0918-0082



**29708 Cimarron Canyon**  
*Tan, Cream, Dark Brown Streaks*



**29709 Glenn Canyon**  
*Dark Brown, White, Cream, Black Streaks*



**29710 Sedona Canyon**  
*Red, White, Black Streaks*

# Save Money With Eagle's Energy Saving Roof

*Your roof can do more than just beautify the structure that it protects. Keep your home or building cooler in the summer, while reducing your energy costs, by installing an Eagle Energy Saving Roof.*

## **Reduce Heat Transfer. See The Savings Add Up.**

According to an Oak Ridge National Laboratory study, there is:

- **A 48% reduction in heat transfer** into the attic with tile roofs installed using an above sheathing ventilation system, like the Eagle Energy Saving Roof, when compared to a direct nailed asphalt shingle roof.
- **A 22% savings\* per year** on heating and cooling costs in a typical single family house compared to an asphalt shingle roof.

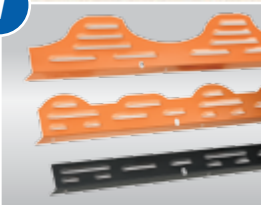
An Eagle Energy Saving Roof can reduce heat transfer into the attic by almost 50%, which means less work for the air conditioner, less expenditure of energy and lower electrical bills for the end user.

## **Gain More Efficiency With Eagle.**

Eagle's concrete tile is highly insulating and is offered in a wide array of reflective colors, which helps prevent much of the sun's heat from penetrating the building below. Install our tiles utilizing several of our components, and you will have a very energy efficient roof.

Key Energy Saving Roof Components are:

1



### **Ventilated Bird Stop/Eave Closures**

The Ventilated Bird Stop creates an air current that draws cool air in at the eave level. It also elevates the first course of tile to the proper height for an overall finished look and prevents bird nesting. Available in all profiles.

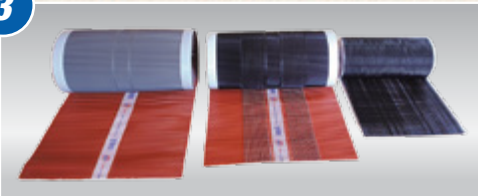
2



### **Scalloped Battens**

Eagle's Scalped Battens are essential when installing an Eagle Energy Saving Roof as it enables air to flow underneath the roof between the tile and the deck. It also allows water to drain via the scallop cuts, keeping moisture from accumulating on your roof deck, which can damage your underlayment.

3



3



### **Ridge Riser**

Elevates the nailing board for proper ventilation.

**FlexSeal** This is a non-vented hip and ridge sealer.

**FlexVent** Adds ventilation at the ridge of your roof.

**FlexFlash** Used in wall flashing detail and hip application.

*Consider an Eagle Energy Saving Roof for your reroof or new construction project. Ask your contractor for a quote or for more information, visit [www.eagleroofing.com](http://www.eagleroofing.com).*



**3 Ridge**  
*Air is exhausted at the ridge*

FlexVent

Eagle Cool Roof Tile

**2 Deck**  
*Air travels under the tile*

Scalloped Battens

Ventilated Bird Stop

**1 Eave**  
*Air enters at the eave*

# Visit an Eagle Design Center

*A beautiful roof is one of the most important architectural elements of a home or building, so why not visit an Eagle Design Center, where you can see our huge selection of colors, textures, styles and products? Whether you need tile samples, design consultation, technical specifications, installation guides or more, our knowledgeable professionals are here to support you every step of the way.*



**Call Today To Schedule Your Free Consultation!**

## Southwest Design Centers



**Phoenix**  
 4608 W. Elwood  
 Phoenix, AZ 85043  
 Phone: 602-346-1749



*Corporate Offices*

3546 N. Riverside Ave.  
 Rialto, CA 92377  
 Phone: 909-822-6000

[www.eagleroofing.com](http://www.eagleroofing.com)

*Eagle is proud to be affiliated with these organizations:*



Connect with us!

