



**NEMO|etc.**

Certificate of Authorization #32455  
353 Christian Street, Unit #13  
Oxford, CT 06478  
(203) 262-9245

ENGINEER

EVALUATE

TEST

CONSULT

**P.E. EVALUATION REPORT (PEER)**

**Eagle Roofing Products, LLC**

1575 East Country Road 470  
Sumterville, FL 33585  
**(800) 400-3245**

**PEER-EGL-001.A.R7**

**FL7473-R10 (NON-HVHZ)**

Date of Issuance: 02/24/2009

**Revision 7: 10/03/2023**

**SCOPE:**

This P.E. Evaluation Report (henceforth 'PEER') is issued under [Rule 61G20-3](#) and the applicable rules and regulations governing the use of construction materials in the State of Florida. The documentation submitted has been reviewed by Robert Nieminen, P.E. for use of the product under the Florida Building Code. The product described herein has been evaluated for compliance with the **8<sup>th</sup> Edition (2023) Florida Building Code** [sections referenced herein](#).

**DESCRIPTION: Eagle Roof Tiles (NON-HVHZ)**

**LABELING:** Labeling shall be in accordance with the requirements of the Accredited Quality Assurance Agency noted herein.

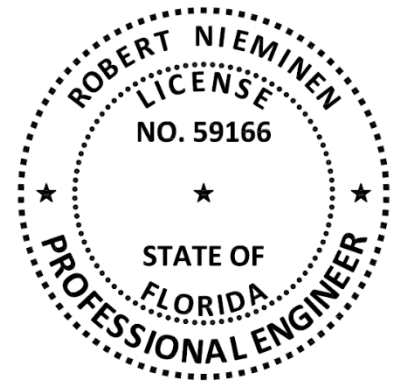
**CONTINUED COMPLIANCE:** This PEER is valid until such time as the named product(s) changes, the referenced Quality Assurance or production facility location(s) changes, or Code provisions that relate to the product(s) change. Acceptance of our PEERs by the named client constitutes agreement to notify NEMO ETC, LLC of any changes to the product(s), the Quality Assurance or the production facility location(s). NEMO ETC, LLC requires a complete review of its PEER relative to updated Code requirements with each Code Cycle.

**ADVERTISEMENT:** The Florida Product Approval Number (FL#) preceded by the words "NEMO P.E. Evaluated" may be displayed in advertising literature. If any portion of the PEER is displayed, then it shall be done in its entirety.

**INSPECTION:** Upon request, a copy of this entire PEER shall be provided to the user by the manufacturer or its distributors and shall be available for inspection at the job site at the request of the Building Official.

This PEER consists of pages 1 through 5.

**Prepared by:**



**CERTIFICATION OF INDEPENDENCE:**

1. NEMO ETC, LLC does not have, nor does it intend to acquire or will it acquire, a financial interest in any company manufacturing or distributing products it evaluates.
2. NEMO ETC, LLC is not owned, operated, or controlled by any company manufacturing or distributing products it evaluates.
3. Robert Nieminen, P.E. does not have nor will acquire, a financial interest in any company manufacturing or distributing products for which the PEERs are being issued.
4. Robert Nieminen, P.E. does not have, nor will acquire, a financial interest in any other entity involved in the approval process of the product.
5. This is a building code evaluation. Neither NEMO ETC, LLC nor Robert Nieminen, P.E. are, in any way, the Designer of Record for any project on which this PEER, or previous versions thereof, is/was used for permitting or design guidance unless retained specifically for that purpose.

**ROOFING SYSTEM EVALUATION:**
**1. SCOPE:**

**Product Category:** Roofing  
**Sub-Category:** Roofing Tiles  
**Product Approval Method:** Method 1, Option D – Codified Material, Evaluation by Engineer  
**Compliance Statement:** Eagle Roof Tiles, as produced by Eagle Roofing Products, LLC, have demonstrated compliance with the following sections of the **8<sup>th</sup> Edition (2023) Florida Building Code** through testing in accordance with the following Standards. Compliance is subject to the [Installation Requirements](#) and [Limitations of Use](#) set forth herein.

**2. STANDARDS:**

SECTION	PROPERTY	STANDARD	YEAR
1507.3.5, R905.3.5	Material standard	ASTM C1492	2016
1507.3.7, R905.3.7	Application	FRSA/TRI 7 <sup>th</sup> Edition	2023
1504.2.1.1	Overturning Moment	SSTD 11	1997

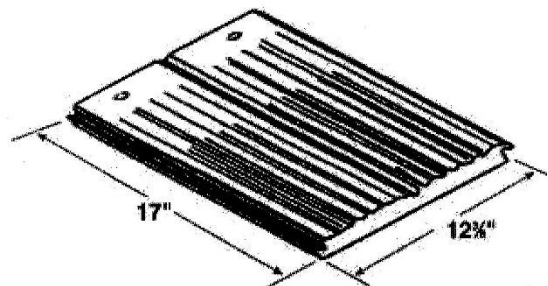
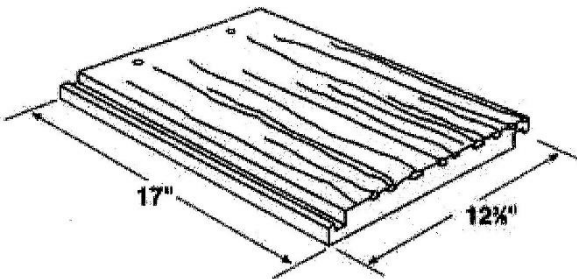
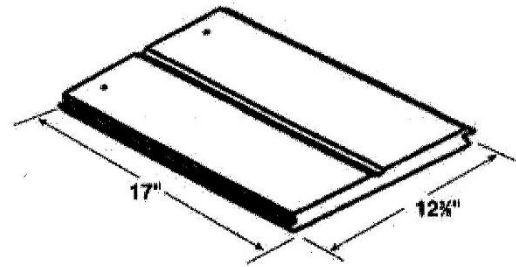
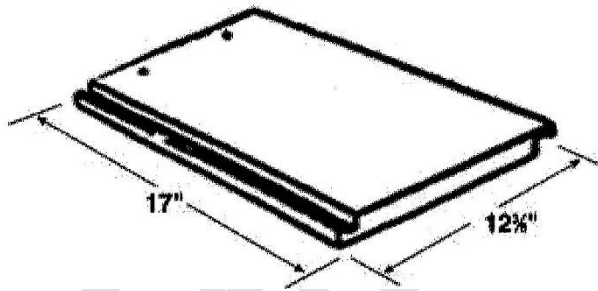
**3. REFERENCES:**

ENTITY	EXAMINATION	REFERENCE	DATE
ATL (TST3782)	ASTM C1492	RT0310.01-17, 02-17, 03-17	03/15/2017
ATL (TST3782)	ASTM C1492 – Freeze/thaw	RT0706.01-17, 02-17, 03-17	09/25/2017
Tile Roof Industry Alliance	SSTD 11	Membership Letter	11/29/2005
Tile Roof Industry Alliance	Membership confirmation	tileroofing.org	Current
Intertek (QUA1673)	Quality Assurance	Inspection Report	04/26/2023
Intertek (QUA1673)	Quality Assurance	Florida BCIS	Current

**4. PRODUCT DESCRIPTION:**
**TABLE 1: EVALUATED ROOF TILES**

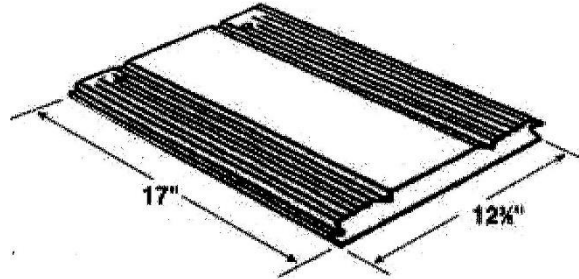
PRODUCT	MATERIAL STANDARD	PLANT(S)
---------	-------------------	----------

4.1 Low Profile Concrete Tile      ASTM C1492, Type III      Sumterville, FL

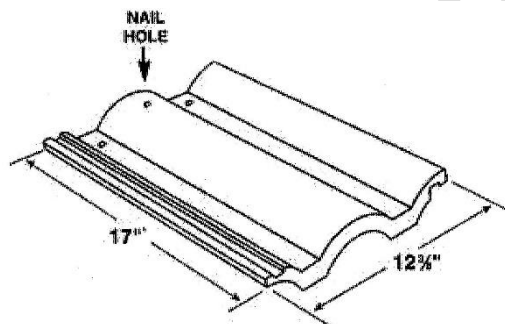


**TABLE 1: EVALUATED ROOF TILES**

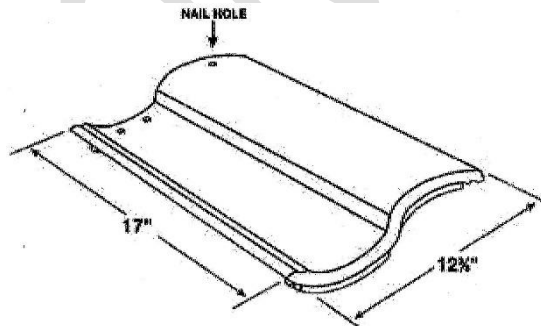
PRODUCT	MATERIAL STANDARD	PLANT(S)
4.1 Low Profile Concrete Tile	ASTM C1492, Type III	Sumterville, FL



4.2 Medium Profile Concrete Tile	ASTM C1492, Type II	Sumterville, FL
----------------------------------	---------------------	-----------------



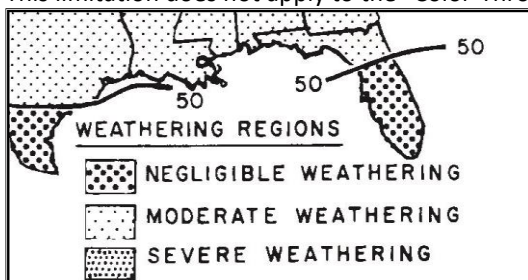
4.3 High Profile Concrete Tile	ASTM C1492, Type II	Sumterville, FL
--------------------------------	---------------------	-----------------



**5. LIMITATIONS:**

- 5.1 This is a building code evaluation. Neither NEMO ETC, LLC nor Robert Nieminen, P.E. are, in any way, the Designer of Record for any project on which this PEER, or previous versions thereof, is/was used for permitting or design guidance. PEERs are not to be construed as representing any attributes not specifically listed, nor are PEERs to be construed as an endorsement of the subject, or a recommendation for its use. There is no warranty by NEMO ETC, LLC or Robert Nieminen, P.E., express or implied, as to any finding or other matter in this PEER, or as to any product covered by the PEER.
- 5.2 This PEER is not for use in FBC High Velocity Hurricane Zone jurisdictions, as defined in FBC Chapter 2 (Broward and Miami-Dade Counties).
- 5.3 This PEER pertains to above-deck roof components. Roof decks and structural members shall be in accordance with FBC requirements to the satisfaction of the Authority Having Jurisdiction.

- 5.4 This PEER does not include evaluation of fire classification. Refer to **FBC 1505** or **R902** for requirements and limitations regarding roof assembly fire classification. Refer to **FBC 2603** for requirements and limitations concerning the use of foam plastic insulation.
- 5.5 This PEER does not include evaluation of roof edge termination.
- 5.6 Refer to **FBC 1511** or **R908** for requirements and limitations regarding recover installations.
- 5.6.1 For mechanically attached components over existing roof decks, fasteners shall be tested in the existing deck for withdrawal resistance. A qualified design professional shall review the data for comparison to the minimum requirements for the system. Testing shall be in accordance with [ANSI/SPRI FX-1](#) or [Testing Application Standard TAS 105](#).
- 5.7 "Color-Bonded" or "Slurry-Coated" tiles are limited to use on projects in areas subjected to weathering indices of 50 or less (negligible weathering), as outlined in **Figure 1 of ASTM C1492-03 (2016)**<sup>1</sup>, reproduced below for reference. This limitation does not apply to the "Color-Through" product offering.



- 5.8 All components in the roof assembly shall have quality assurance audit in accordance with **F.A.C. [Rule 61G20-3](#)**.

## 6. INSTALLATION:

- 6.1 **Eagle Roof Tiles** may be mechanically fastened, mortar-set or adhesive-set. Installation shall comply with manufacturer's current published instructions, but not less than the requirements of **FBC 1507.3** and the **FRSA/TRI Manual 7th Edition**.
- 6.2 Underlayment:  
Underlayment shall hold current Florida Product Approval for use with tile roofing systems. The underlayment Product Approval shall specify allowable method(s) of tile installation (mechanical attachment, mortar-set or adhesive-set) for use with the specific underlayment. The underlayment Product Approval shall specify attachment methods for the underlayment system to resist wind uplift design loads determined in accordance with the **FRSA/TRI Manual 7th Edition, FBC 1609** or **FBC Residential Chapter 3**.
- 6.3 Tile Attachment:
  - 6.3.1 Mechanically Attached Tile:  
Wind load resistance shall be in accordance with Table 3 of **FRSA/TRI Manual 7th Edition** to resist the Uplift Moment determined in Table 2HB, 2HC, 2HD, 2GB, 2GC or 2GD of **FRSA/TRI Manual 7th Edition** or **FBC 1609.6.3**.
  - 6.3.2 Mortar-Set Tile:  
Wind load resistance shall be in accordance with the mortar manufacturer's Florida Product Approval to resist the Uplift Moment determined in Table 2HB, 2HC, 2HD, 2GB, 2GC or 2GD of **FRSA/TRI Manual 7th Edition** or **FBC 1609.6.3**.
  - 6.3.3 Adhesive-Set Tile:  
Wind load resistance shall be in accordance with the adhesive manufacturer's Florida Product Approval to resist the Uplift Moment determined in Table 2HB, 2HC, 2HD, 2GB, 2GC or 2GD of **FRSA/TRI Manual 7th Edition** or **FBC 1609.6.3**. Refer to the current version of the referenced Florida Product Approval for paddy-placement details and performance data.

TABLE 2: TILE ADHESIVES FOR ADHESIVE-SET TILE SYSTEMS		
MANUFACTURER	PRODUCT(S)	FLORIDA PRODUCT APPROVAL
DAP Global, Inc.	“Touch ‘n Seal® Storm Bond® Roof Tile Adhesive”	FL14506
	“Touch ‘n Seal® Storm Bond® 2 Roof Tile Adhesive (HFC)”	FL14506
DuPont de Nemours, Inc.	“TILE BOND™ Roof Tile Adhesive”	FL22525
ICP Construction, Inc.	“POLYSET® AH-160”	FL6332
	“APOC® POLYSET® RTA-1”	FL6276

6.3.4 Hip and Ridge Tile:

Hip and ridge tile shall be installed in accordance with **FRSA/TRI Manual 7th Edition**. Wind load resistance shall be in accordance with the hip/ridge pole, mortar or adhesive manufacturer’s Florida Product Approval to resist the Uplift Pressures determined in Table 1H or 1G of **FRSA/TRI Manual 7th Edition**.

**7. LABELING:**

7.1 Each unit shall bear the imprint or identifiable marking of the manufacturer’s name or logo. Tile lots shall be labeled in accordance with the requirements of the Accredited Quality Assurance Agency noted herein.



(LOCATED ON UNDERSIDE OF TILE)

**EAGLE FL**

(LOCATED ON FRONTSIDE OF TILE)

7.2 Tile not tested for freeze-thaw shall state clearly that the lot has not been tested for freeze-thaw acceptance on all lot tags or certification.

**8. BUILDING PERMIT REQUIREMENTS:**

As required by the Building Official or Authority Having Jurisdiction to properly evaluate the installation of this product.

**9. MANUFACTURING PLANTS:**

Contact the named QA entity for manufacturing facilities covered by **F.A.C. Rule 61G20-3** QA requirements. Refer to [Section 4](#) herein for products and production locations having met codified material standards.

**10. QUALITY ASSURANCE ENTITY:**

[Intertek Testing Services NA, Inc.](#) – QUA1673; (312) 906-7779; [maura.norlander@intertek.com](mailto:maura.norlander@intertek.com)

- END OF PEER-

<sup>1</sup> ASTM C1492-03(2016), Standard Specification for Concrete Roof Tile, © ASTM International